

PRIMO MINI  
SAUNA

---



---

INSTALLATION MANUAL

## INSTRUCTIONS

- It is recommended to install the sauna above ground level to prevent the base frame from coming into direct contact with the ground. Install a water-resistant material, such as bitumen strips, between the base frame and the base surface.
- Make sure that the surface on which you install the sauna is level and stable before and after installing the sauna. Otherwise, the doors of the sauna may not open and close properly later on.
- During the first heating of the sauna, it must be constantly supervised, and the doors should be kept open, as the stove emits a specific odor when first heated. Read more from the user manual of the sauna stove.
- In order to avoid damage caused by the weight of snow in winter, any snow should be removed from the roof of the sauna. Keep in mind that the roof covering should not be damaged during snow removal.
- If your sauna has lighting, install a 3G 2,5 mm outdoor power cable and connect it in accordance with the schematics on the plug socket coupler provided with the sauna. The power cable of the sauna must be connected to a residual-current circuit breaker! Consult an electrician if necessary.

## REQUIRED TOOLS



Tape measure



Level



Rubber mallet



Hand saw



Battery drill



Nail gun



Silicone gun



Cutting knife



Hammer



Broom



Circular saw



Foam gun



Tin shears



Pliers



Scissors



Protective gloves

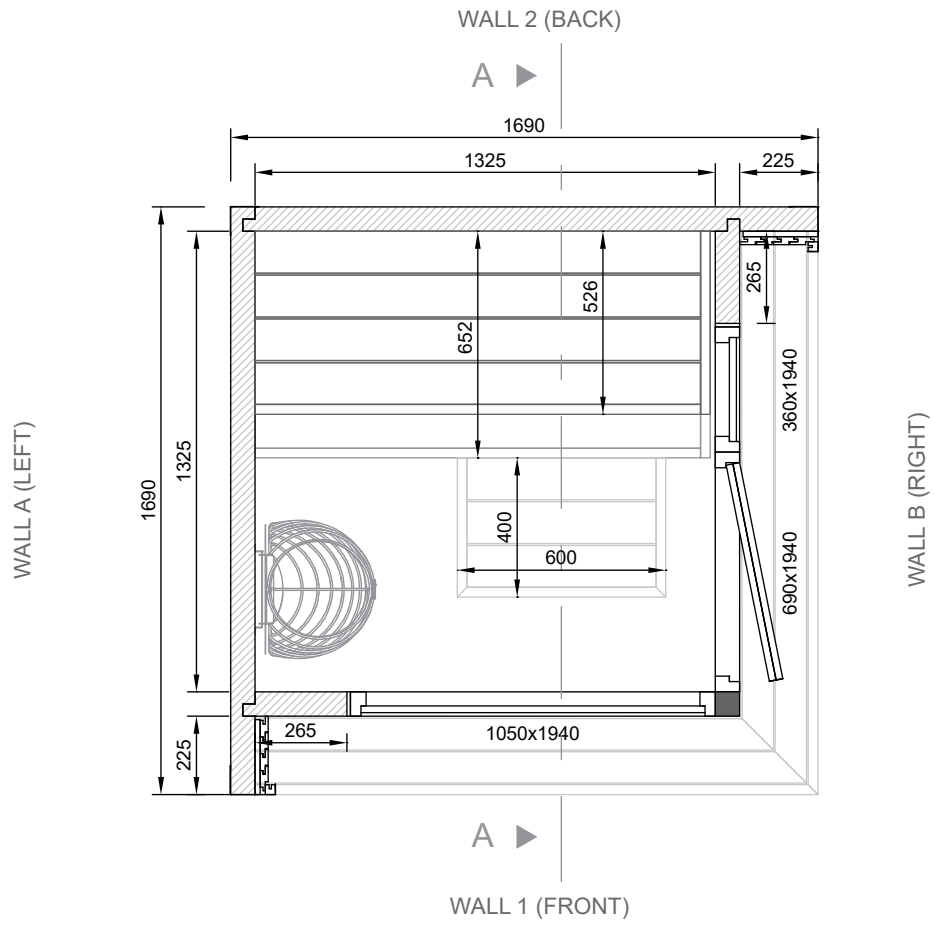


Safety goggles

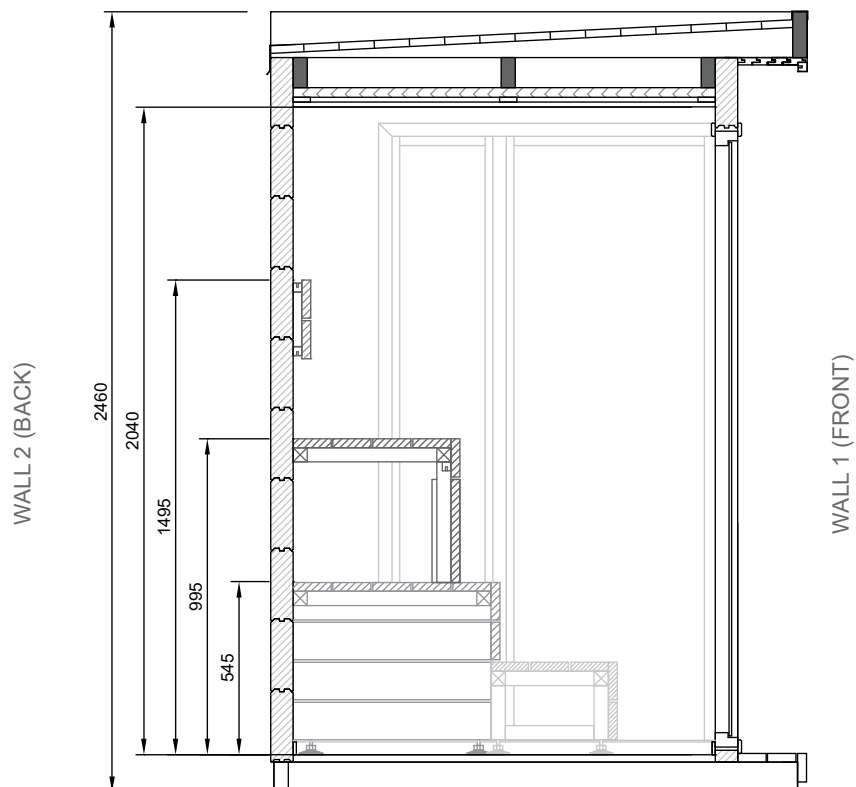


Respirator

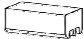
FLOOR PLAN



CROSS SECTION A-A



## DETAIL LIST: WALLS

DETAIL	NOTE	LENGTH	QUANTITY
70X222 WALL LOG THERMO	WALL 1 (FRONT)	1430 MM	1
70X230 WALL LOG THERMO	WALL 1 (FRONT)	1360 MM	1
70X230 WALL LOG THERMO	WALL 1 (FRONT)	300 MM	8
70X222 WALL LOG THERMO	WALL 2 (BACK)	1655 MM	1
70X230 WALL LOG THERMO	WALL 2 (BACK)	1655 MM	9
70X222 WALL LOG THERMO	WALL A (LEFT)	1690 MM	1
70X230 WALL LOG THERMO	WALL A (LEFT)	1690 MM	9
70X230 WALL LOG THERMO	EXTRA (SPARE DETAIL)	1690 MM	1
70X222 WALL LOG THERMO	WALL B (RIGHT)	1430 MM	1
70X230 WALL LOG THERMO	WALL B (RIGHT)	1360 MM	1
70X230 WALL LOG THERMO	WALL B (RIGHT)	300 MM	8
70X70 CORNER POST	MARKING: P-1	2006 MM	1
HITTING BLOCK 70 MM			2


## DETAIL LIST: BASE FRAME

AR-1	45X95 BASE FRAME		1657 MM	2
AR-2	45X95 BASE FRAME		1567 MM	2
AR-3	45X95 BASE FRAME		1410 MM	1
AR-4	45X95 BASE FRAME		1365 MM	2
AR-5	45X95 BASE FRAME		1320 MM	5
AR-6	45X95 BASE FRAME	<i>BOTH ENDS CUT AT 45°</i>	267 MM	2
AR-7	45X95 BASE FRAME		157 MM	10

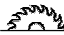
## DETAIL LIST: ROOF FRAME

KR-1	45X145 ROOF FRAME		1690 MM	1
KR-2	45X145 ROOF FRAME		1645 MM	2
KR-3	45X95 ROOF FRAME	<i>WEDGE SHAPED DETAIL</i>	1645 MM	4
KR-4	45X45 ROOF FRAME	<i>BOTH ENDS CUT AT 45°</i>	290 MM	1
KR-5	45X45 ROOF FRAME		205 MM	2
KR-6	28X90 ROOF FRAME		205 MM	1
T-1	45X95 CEILING BEAM		1323 MM	3

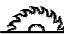

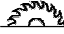

## DETAIL LIST: ROOF, FLOOR AND DECKING BOARDS

KL-1	24X120 ROOF BOARD		1598 MM	15+1
PL-1	24X120 FLOOR BOARD		1320 MM	11+1
PL-2	24X120 FLOOR BOARD	<i>CUTOUT FOR DRAINAGE SIPHON</i>	1320 MM	1
TL-1	28X90 DECKING BOARD		~1700 MM	6+1


**DETAIL LIST: LINING BOARDS**

MARKING	DETAIL	NOTE	LENGTH	QUANTITY
UPS-0	23X70 OUTER LINING BOARD		~2400 MM	16+2
STS-4	15X140 CEILING LINING BOARD *OR 15X120 CEILING LINING BOARD		1320 MM	11+1 14+1


**DETAIL LIST: SLATS AND MOLDINGS**

DI-00	21X21 CEILING MOLDING		~2100 MM	4
DI-0	10X40 PLASTIC FLOOR MOLDING		~2700 MM	2
DI-1	15X55 SPACER	<i>FOR CEILING BOARDS</i>	1320 MM	3
DI-2	15X55 SPACER	<i>FOR OUTER LINING BOARDS</i>	215 MM	12
UL-1	12X42 DOOR & WINDOW MOLDING		~2200 MM	12+1
LED-1	28X28 LED PROFILE		~2400 MM	4

**DETAIL LIST: INSULATION AND VENTILATION**

	SPU INSULATION PANEL		600X1200 MM	3
	FOIL TAPE	<i>FOR CEILING INSULATION</i>	10 M	1
	MOISTURE SAFETY TAPE	<i>FOR ALL OUTSIDE CORNERS</i>	10 M	1
	TRANSPARENT SILICONE	<i>BETWEEN WALL LOGS, OUTSIDE CORNERS, FLOOR MOLDINGS</i>		5
	POLYURETHANE GUN FOAM	<i>FOR DOORS AND WINDOWS</i>		1
	COATING PAINT - 0.9 L, BLACK	<i>FOR PAINT REPAIR</i>		1
	VENTILATION GRID Ø100 MM	<i>METAL</i>		4
	VENTILATION VALVE Ø100 MM	<i>WOOD</i>		2

**DETAIL LIST: ROOF AND FLOOR COVERING**

	PVC FLOOR COVERING		1.325x2 M	1
	ADHESIVE FOR FLOOR COVERING		1 L	1
	ADHESIVE SPREADER			1
	DRAINAGE SIPHON			1
	EPDM RUBBER ROOF COVERING		1.86X3.05 M	1
	EPDM GLUE		2.5 L	1
	EPDM QUICKPRIME		125 ML	1
	PAINT ROLLER + HANDLE			1
	SANDING PAD			1
	SPLICE TAPE		1.6 M	1




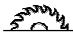
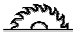
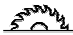
## DETAIL LIST: DOORS AND WINDOWS

MARKING	DETAIL	NOTE	LENGTH	QUANTITY
U-1	GLASS DOOR 70X690X1940 MM	METAL + WOOD HANDLE		1
A-1	WINDOW 70X1050X1940 MM			1
A-2	WINDOW 70X360X1940 MM			1
	WOODEN COVER CAPS	FOR DOOR & WINDOW FRAMES		18

## DETAIL LIST: SAUNA BENCHES

	SAUNA BENCH NR. 1	BOTTOM - WALL 2 (BACK)	650X1310MM	1
	SAUNA BENCH NR. 2	TOP - WALL 2 (BACK)	524X1310 MM	1
	STEP BENCH		398X600 MM	1
	SIDE PANEL	WALL B (RIGHT)	498X624 MM	1
	FRONT PANEL	BOTTOM BENCH	118X1310 MM	1
	TOP BENCH SUPPORT	FOR BENCH NR. 2	H: 377 MM	1
	HORIZONTAL SUPPORT SET 45X45	FOR TOP AND BOTTOM BENCHES		1
	BACKREST	WALL 2 - BACK	1310 MM	1

## DETAIL LIST: METAL SHEETS

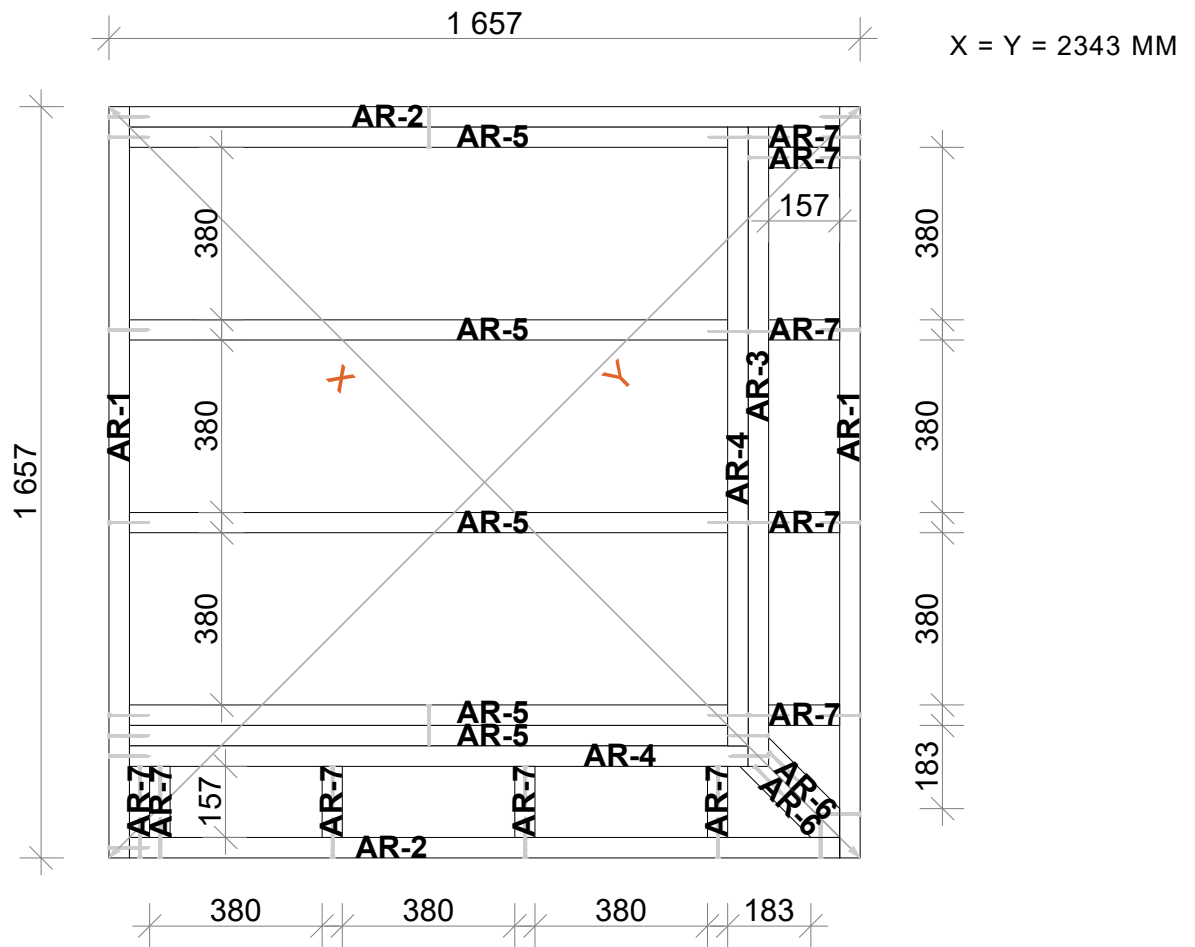
	METAL DRIP EDGE 80X80 MM	BACK WALL 	1800 MM	1
	PARAPET CAP FOR LED PROFILE 30X190X30 MM	FRONT AND RIGHT WALL 	1800 MM	2
	PARAPET CAP 30X190 MM	LEFT WALL 	1800 MM	1
	PARAPET CAP 25X50X25 MM	FRONT AND SIDE WALLS 	1900 MM	3
	CORNER COVER FOR LED PROFILE 85X130X30 MM	LEFT AND BACK WALL 	2500 MM	2
	CORNER COVER 85X85 MM	CORNER POST & BACK CORNER 	2500 MM	2
	MOUNTING GLUE	FOR FIXING METAL SHEETS		1

**DETAIL LIST: FIXINGS AND FASTENERS**

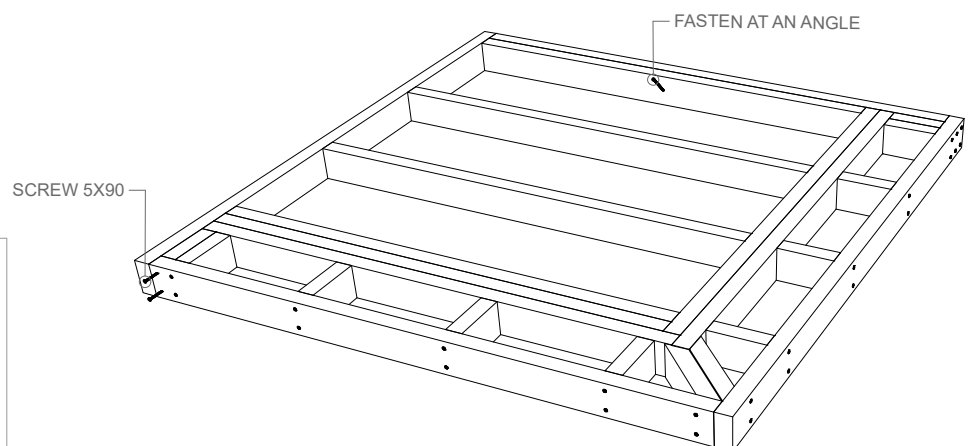
<b>PROFILE</b>	<b>DETAIL</b>	<b>NOTE</b>	<b>LENGTH</b>	<b>QUANTITY</b>
	JOIST HANGER 45X97 MM	<i>FOR CEILING BEAMS</i>		2
	ANGLE BRACKET 90X90X65 MM	<i>FOR CORNER POST</i>		3
	SCREW 6X180 MM	<i>FOR CONNECTING WALL LOGS</i>		80
	SCREW 5X90 MM	<i>FOR BASE FRAME</i>		120
	SCREW 5X40 MM	<i>JOIST HANGER &amp; BRACKET</i>		50
	SCREW 4.5X70 MM	<i>FOR SAUNA BENCHES</i>		150
	SCREW 3.5X50 MM	<i>FOR FLOOR BOARDS</i>		50
	SCREW 4X40 MM, BLACK	<i>FOR DECKING &amp; LINING BOARDS</i>		200
	NAIL 70 MM	<i>FOR ROOF BOARDS</i>		100
	LOST HEAD NAIL 40 MM	<i>FOR CEILING BOARDS</i>		300
	WRONIC SCREW 4.2X25 MM	<i>FOR 80X80 MM SHEET</i>		15
	ROOFING SCREW 4.8X25 MM	<i>FOR 25X50X25 MM SHEET</i>		30

## BASE FRAME: ASSEMBLY DRAWING

- Assembly the base frame using 5x90 screws according to the drawing. Make sure that the frame is level and the diagonals are equal ( $X = Y$ ).



## BASE FRAME: 3D VIEW



### TOOLS AND FIXINGS:



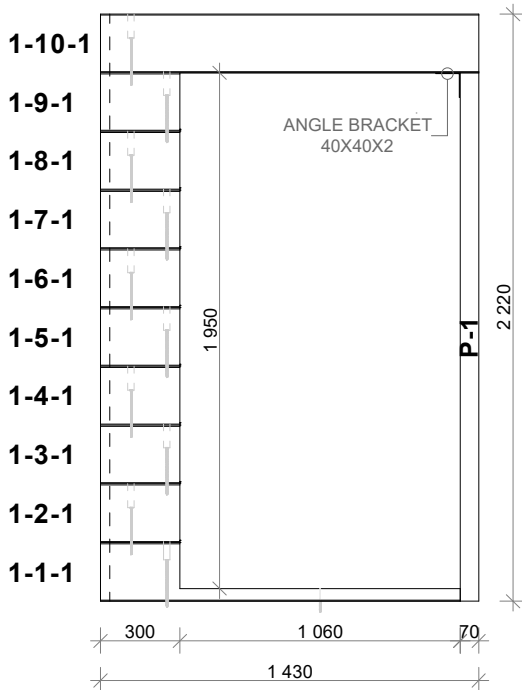
5X90 SCREW - 85 PCS



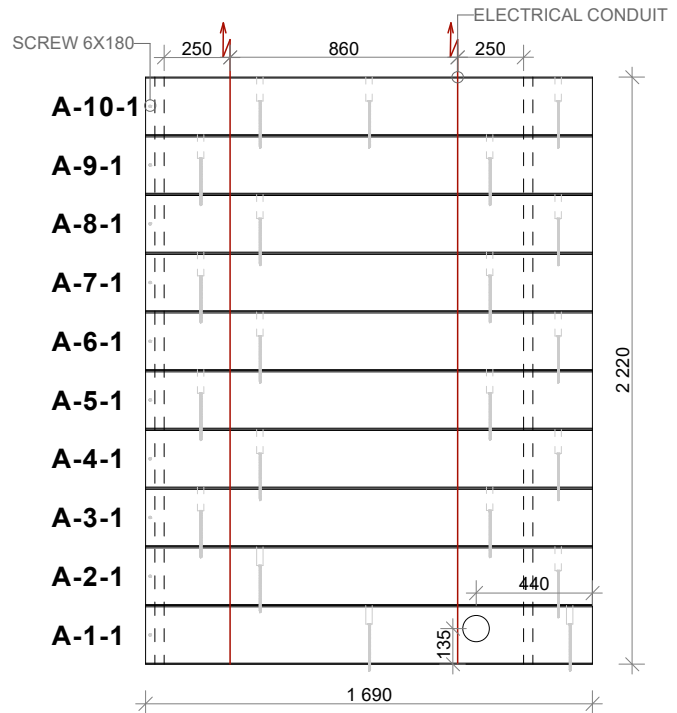
## WALLS: ASSEMBLY DRAWING 1/2

- Place the first row of wall logs on top of the base frame. Make sure the left and back wall logs protrude 5 mm outwards from the base frame.
- Install the wall logs on top of each other according to the scheme. Use a hitting block and a rubber mallet to set the logs in place. Apply silicone in the grooves of each wall log and connect all the wall logs together at the corners and through the pre-drilled holes with 6x180 screws. Use a 150 mm screwdriver bit extension.

**WALL 1 - FRONT**  
(View from the outside)

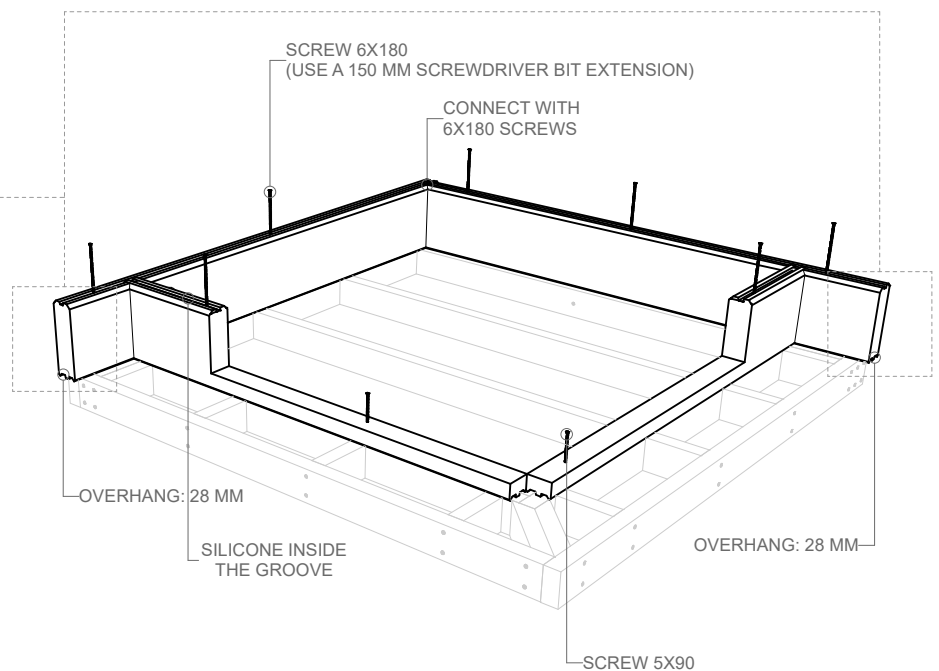
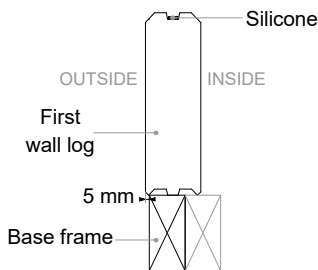


**WALL A - LEFT**  
(View from the outside)

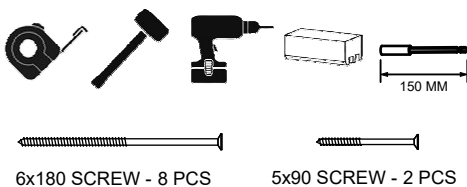


## WALLS: 3D VIEW

**CROSS SECTION:**



**TOOLS AND FIXINGS:**

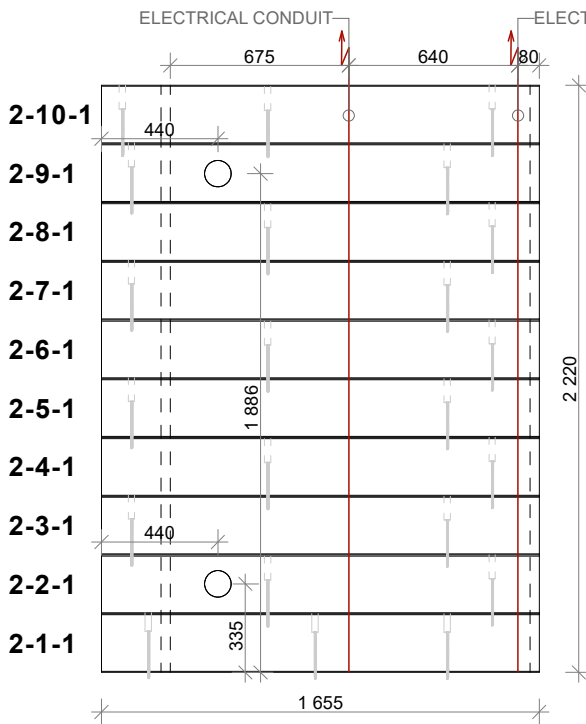


## WALLS: ASSEMBLY DRAWING 2/2

- Continue to install the wall logs on top of each other according to the scheme, adding silicone between each row. Connect all the wall logs together at the corners and through the pre-drilled holes with 6x180 screws. Use a 150 mm screwdriver bit extension.
- Connect the upper wall logs to each other from the inside and to the corner post, using 40x40x2 metal angle brackets and 5x40 screws.

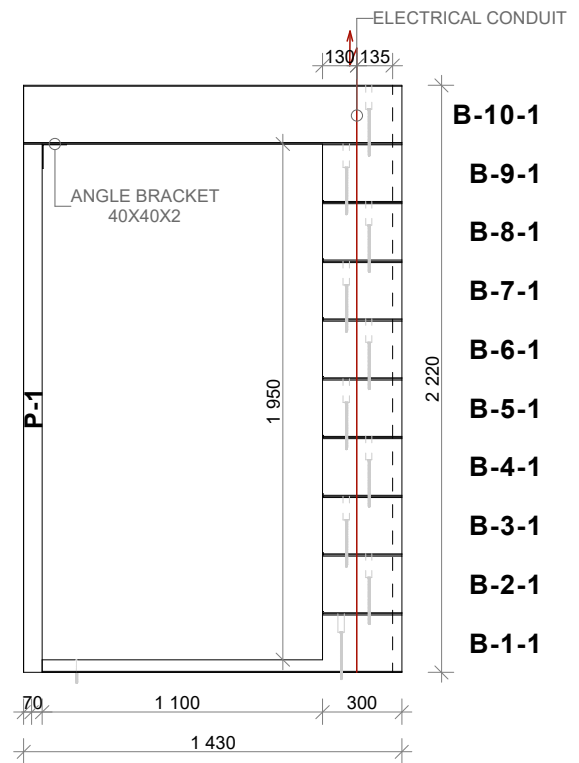
### WALL 2 - BACK

(View from the outside)

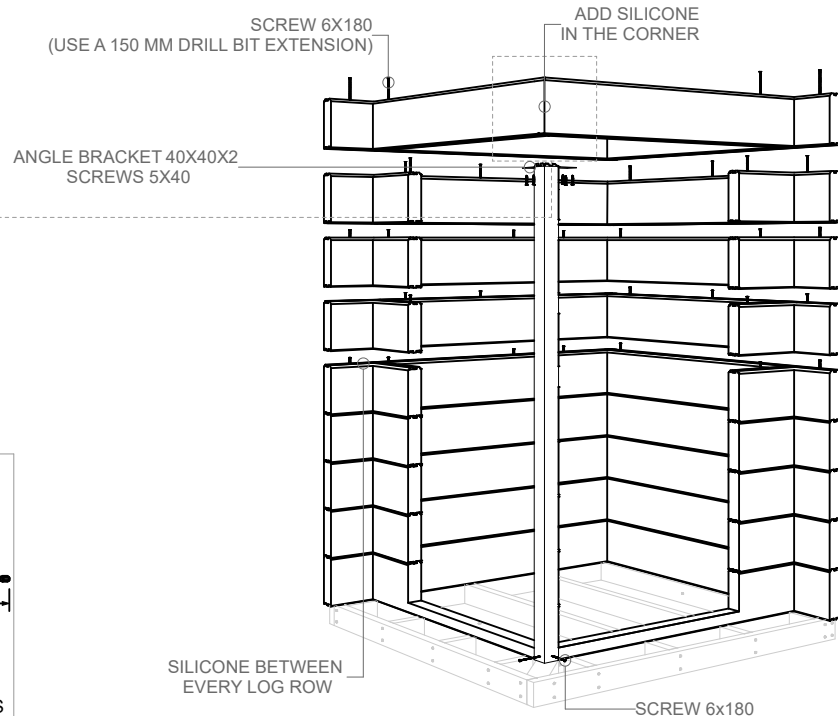
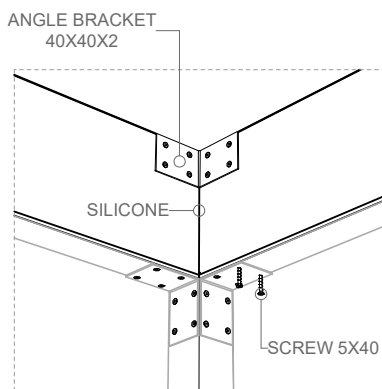


### WALL B - RIGHT

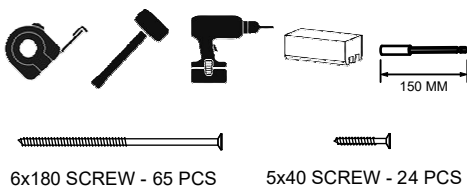
(View from the outside)



## WALLS: 3D VIEW

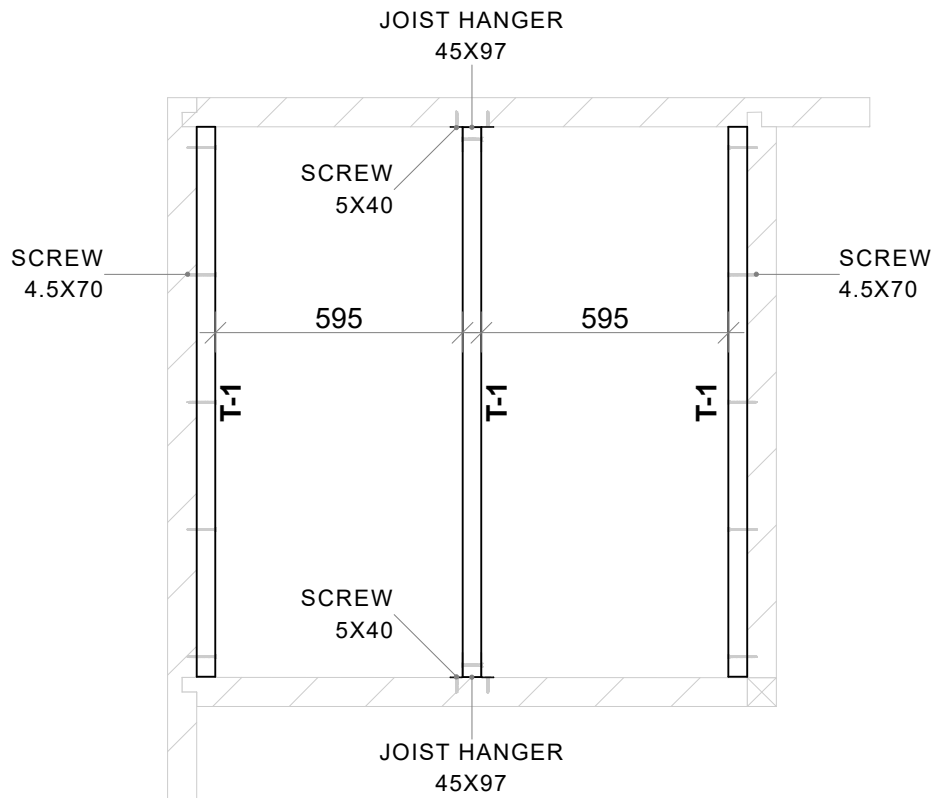


### TOOLS AND FIXINGS:

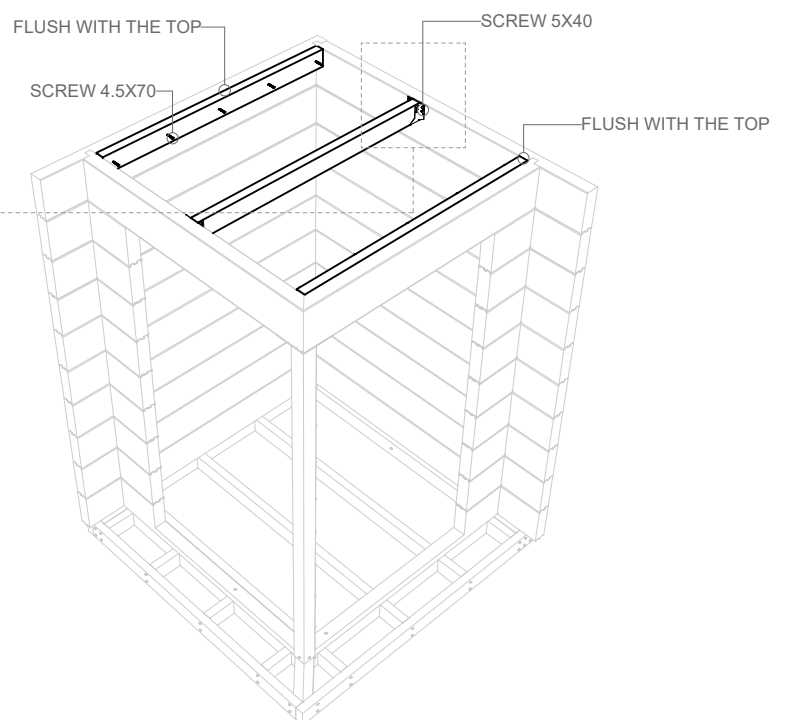
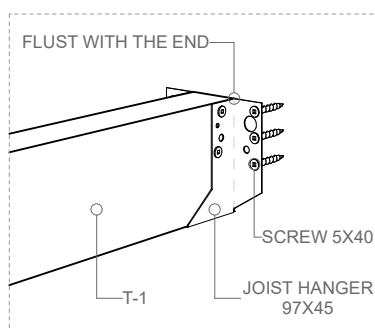


## CEILING BEAMS: INSTALLATION DRAWING

- Fix two T-1 ceiling beams to the side walls, flush with the top, using 4.5x70 screws.
- Attach the joist hangers to one T-1 beam with 5x40 screws. Fix the beam to the front and back walls, flush with the top, using 5X40 screws.



## CEILING BEAMS: 3D VIEW



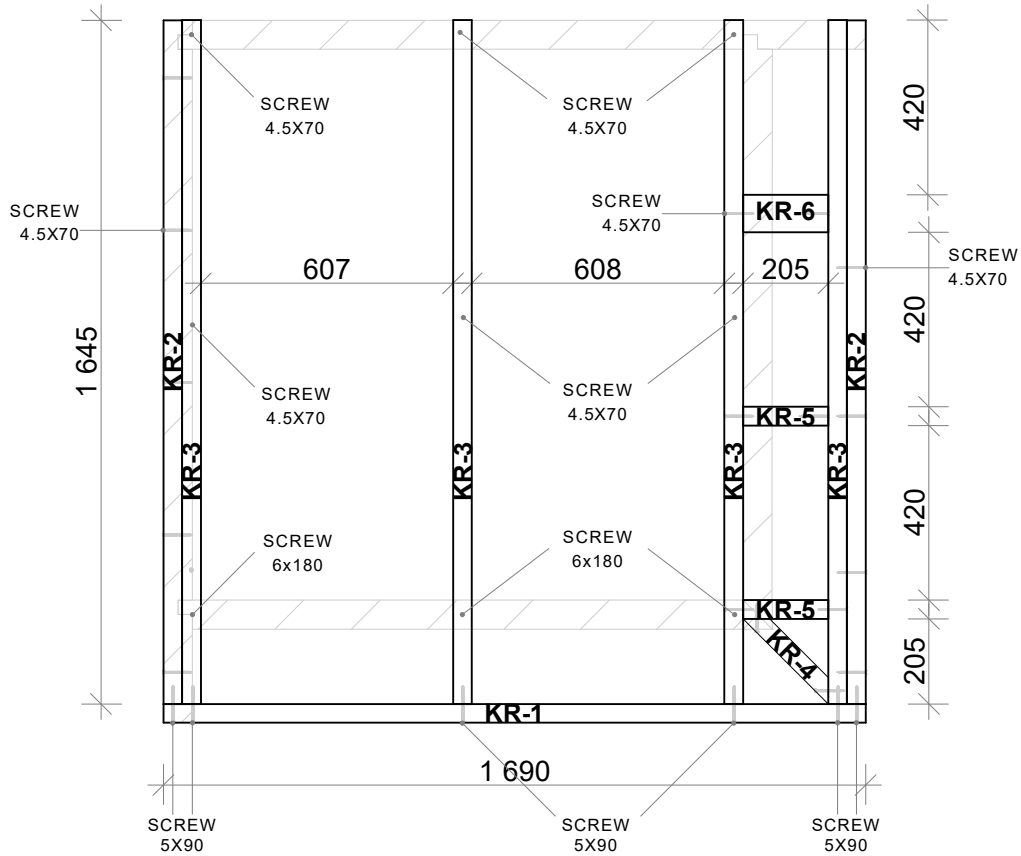
### TOOLS AND FIXINGS:



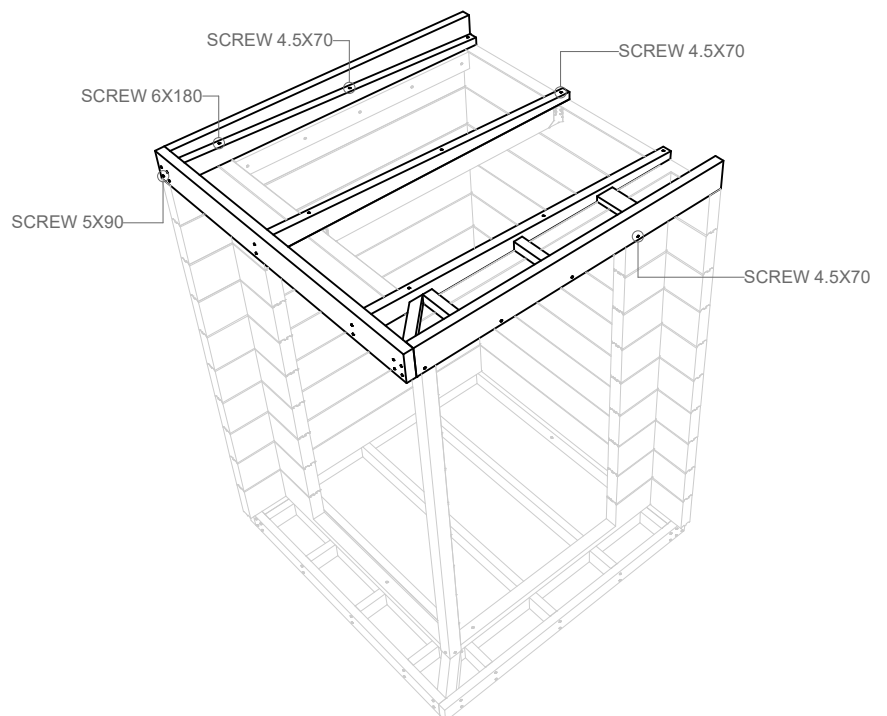
4.5X70 SCREW - 10 PCS    5X40 SCREW - 20 PCS

## ROOF FRAME: INSTALLATION DRAWING

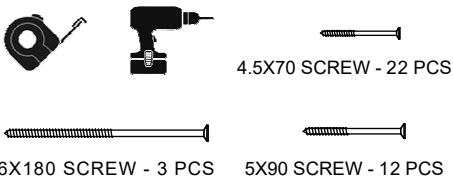
- Install the KR-1 and KR-2 roof frame details according to the scheme using 5x90 and 4.5x70 screws.
- Fix the KR-3 wedge shaped roof frame details according to the scheme with 6x180 and 4.5x70 screws.



## ROOF FRAME: 3D VIEW

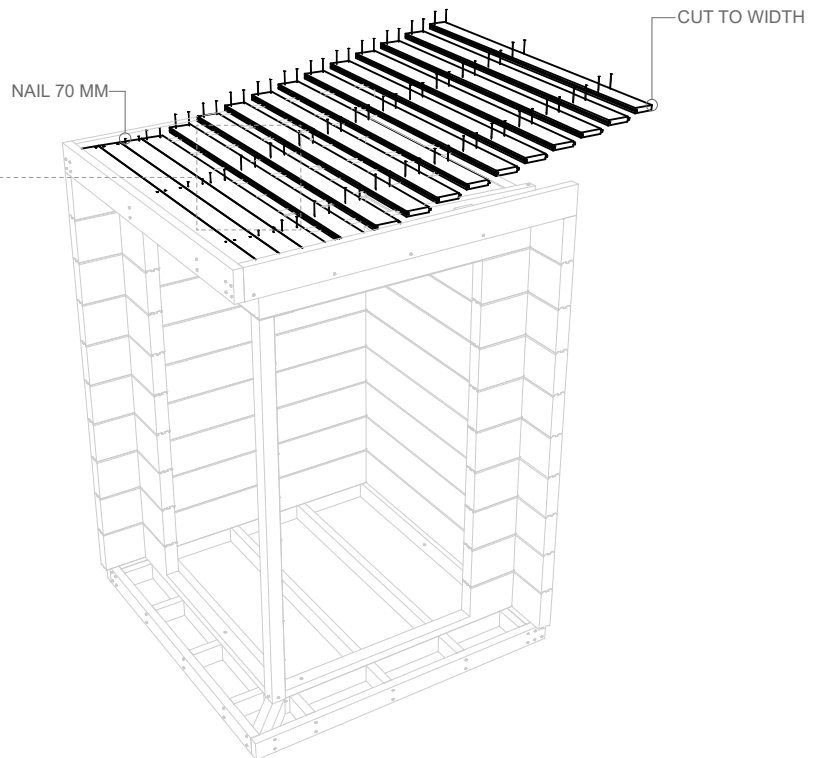
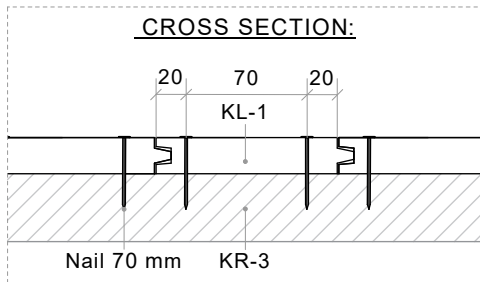


### TOOLS AND FIXINGS:

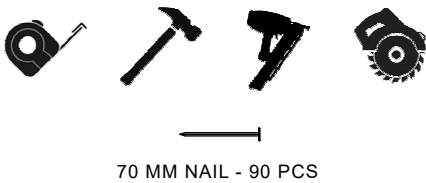


## ROOF BOARDS:

- Fix the KL-1 roof boards with 70 mm nails to the roof frame, starting from the front (6 nails per roof board). Use a hammer or a nailgun. Cut the last roof board to width using a circular saw.

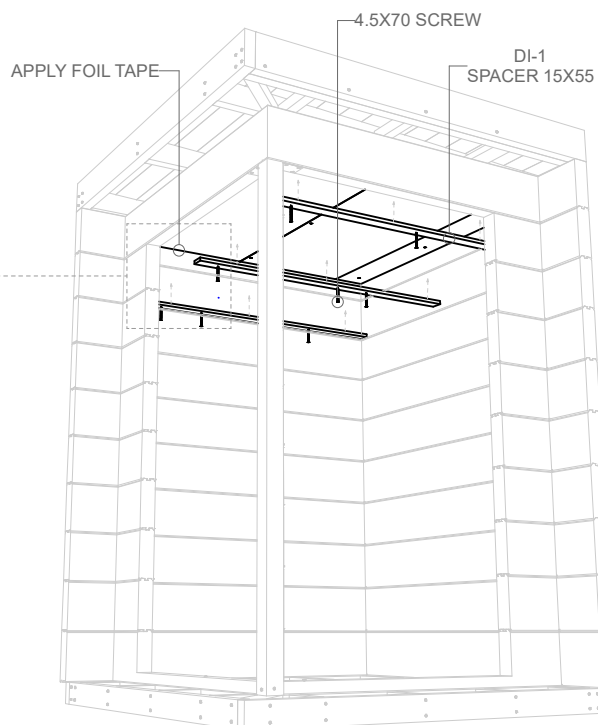
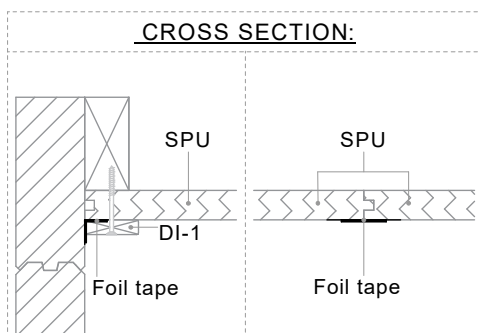


**TOOLS AND FIXINGS:**



## CEILING INSULATION:

- Cut the SPU insulation panels to size with a cutting knife. Fix the panels to the ceiling beams using a few 4.5x70 screws. Tape all edges and joints with foil tape to prevent heat loss.
- Place the DI-1 spacers on top of the insulation panels and fasten them to the ceiling beams with 4.5x70 screws.

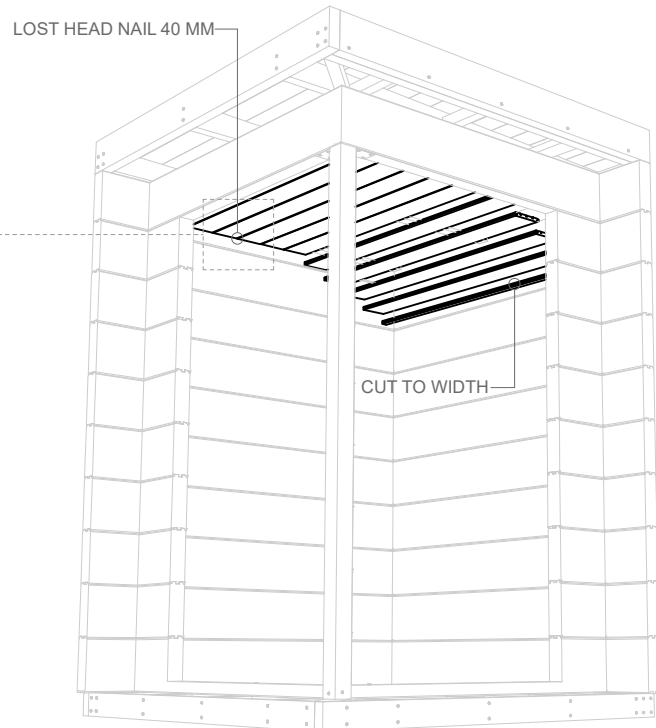
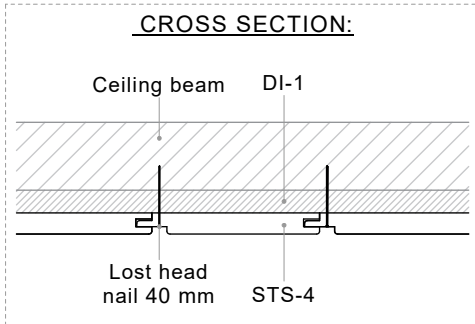


**TOOLS AND FIXINGS:**



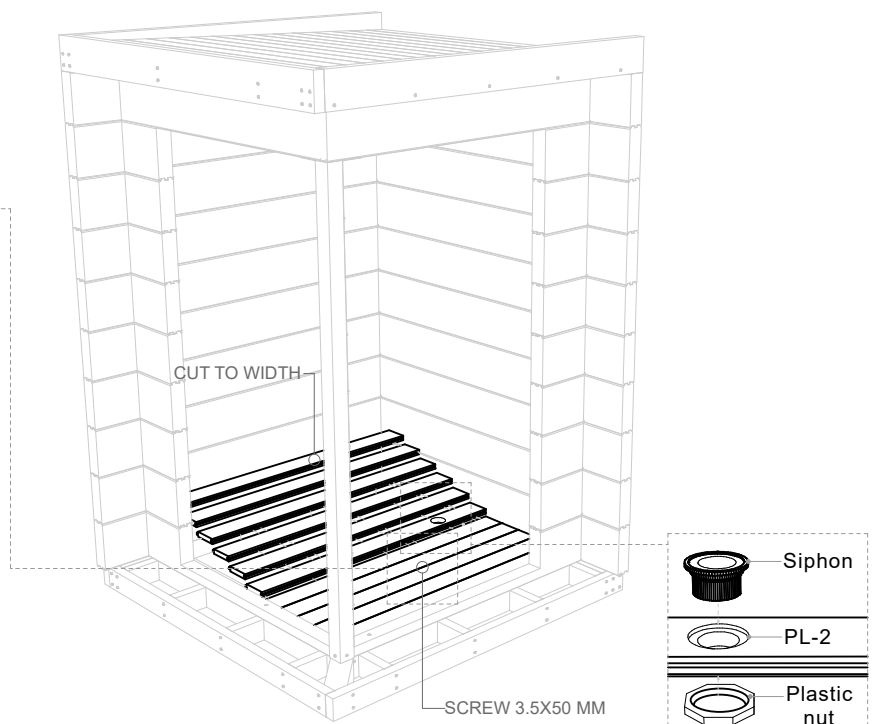
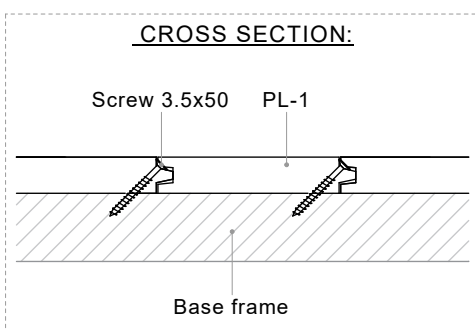
## CEILING BOARDS:

- Install the STS-4 ceiling lining boards on top of the DI-1 spacers. Leave ~3 mm gap between the boards and walls on all sides. Use 40 mm lost-head nails (3 per every ceiling board) and a hammer or nail gun for fixing. Cut the last ceiling board to width using a circular saw.



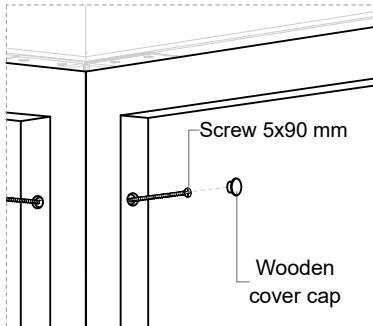
## FLOOR BOARDS:

- Attach the drainage siphon to the PL-2 floor board and attach the floor board in the center of the sauna, when the sequel gets to it.
- Fix the PL-1 floor boards to the base frame with 3.5x50 screws, starting from the front. Leave ~3 mm gap between the floor boards and walls at all sides. Cut the last floor board to width using a circular saw.



## DOORS AND WINDOWS:

- Fasten the door and windows to the walls and P-1 corner post from inside the sauna, through the pre-drilled holes in the frames, using 5x90 screws. Connect the frames to each other with 4x40 screws. Cover the holes with wooden cover caps and seal and fill the installation gaps of the openings with polyurethane gun foam. Attach the handles to the glass door.



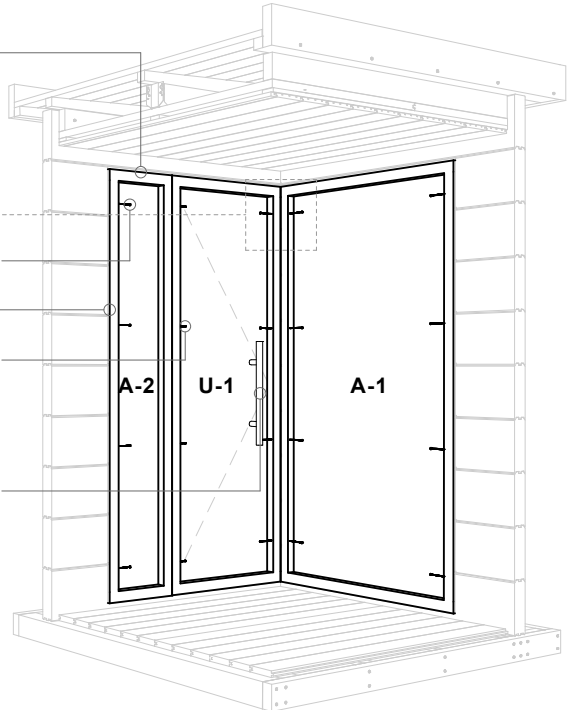
SEAL GAPS WITH  
POLYURETHANE GUN  
FOAM FROM OUTSIDE

SCREW 5X90 MM

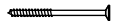
GAP 10 MM

SCREW 4X40 MM

WOODEN HANDLE  
ON THE INSIDE  
METAL HANDLE  
ON THE OUTSIDE



### TOOLS AND FIXINGS:



5X90 SCREW - 16 PCS

5X40 SCREW - 4 PCS

## FLOOR COVERING:

- Clean the floor surface of debris and apply the PVC flooring adhesive to the floorboards according to the instructions provided with the product. Wear gloves for protection.
- Cut the PVC floor covering to size and place on top of the glued surface. Smooth the cover from the center towards the edges to remove any air bubbles.
- Cut to length and install the DI-0 floor moldings with 40 mm lost head nails. Insulate the joints between the moldings and PVC floor covering with transparent silicone, to ensure watertightness.

### TOOLS AND FIXINGS:



40 MM LOST HEAD NAIL - 40 PCS

FIX WITH 40 MM  
LOST HEAD NAILS

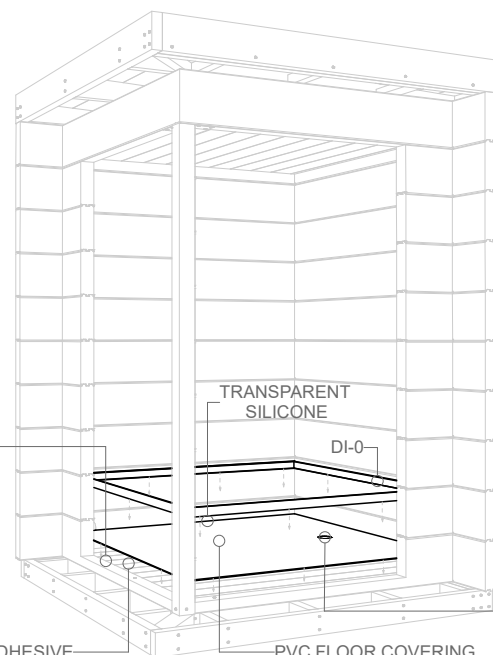
TRANSPARENT  
SILICONE

DI-0

HOLE FOR  
DRAINAGE SIPHON

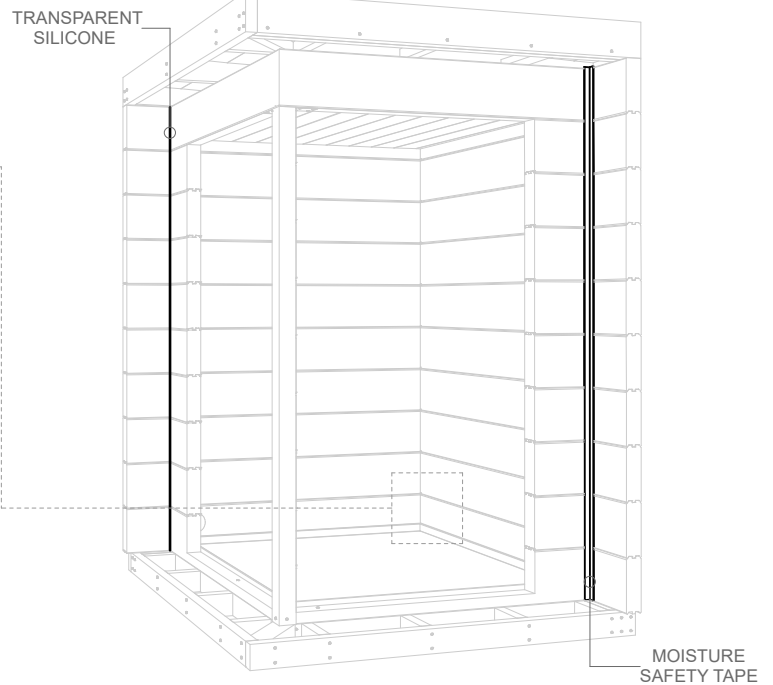
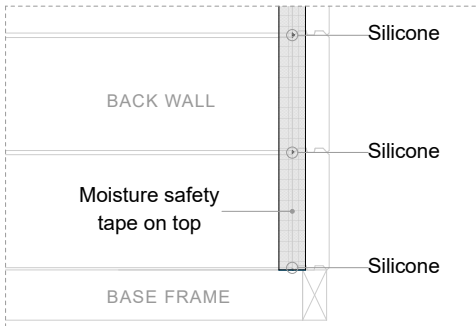
PVC ADHESIVE

PVC FLOOR COVERING



## MOISTURE PROOFING:

- First, seal all the outside corners of the sauna with transparent silicone to prevent moisture and rainwater from entering the sauna.
- For extra protection, tape all outside corners with moisture safety tape when the silicone has dried.



### TOOLS AND FIXINGS:



## VENTILATION:

- Attach the ventilation pipe and cover the ventilation openings with grids or valves, as shown. Use 3x40 screws for fixing.

### I - EXHAUST OPENING

Install a ventilation grid outside and a wooden valve inside. The purpose of the exhaust opening is to dry the steam room after using the sauna. The ventilation valve should be closed while using the sauna. Open the valve after using the sauna to expel excess moisture through the opening. For faster drying, leave the steam room door ajar after a sauna session.

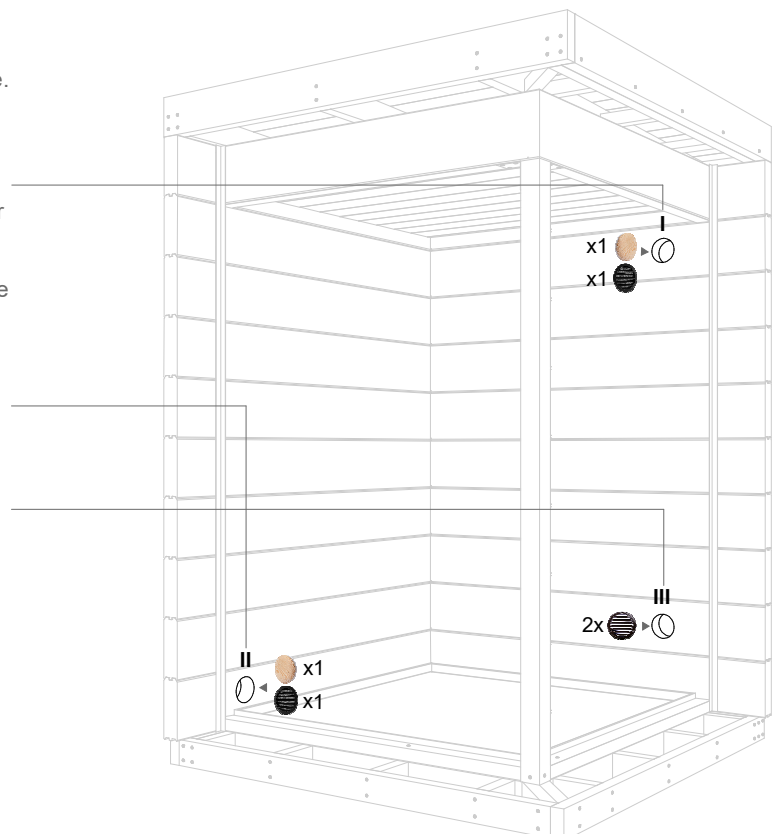
The ventilation valve can also be opened between sessions if there are many people in the steam room at the same time and excessive humidity or a lack of air occurs.

### II - INLET

Install a ventilation grid outside and a wooden valve inside.

### III - OUTLET

Install a metal ventilation grid inside and outside.



### TOOLS AND FIXINGS:

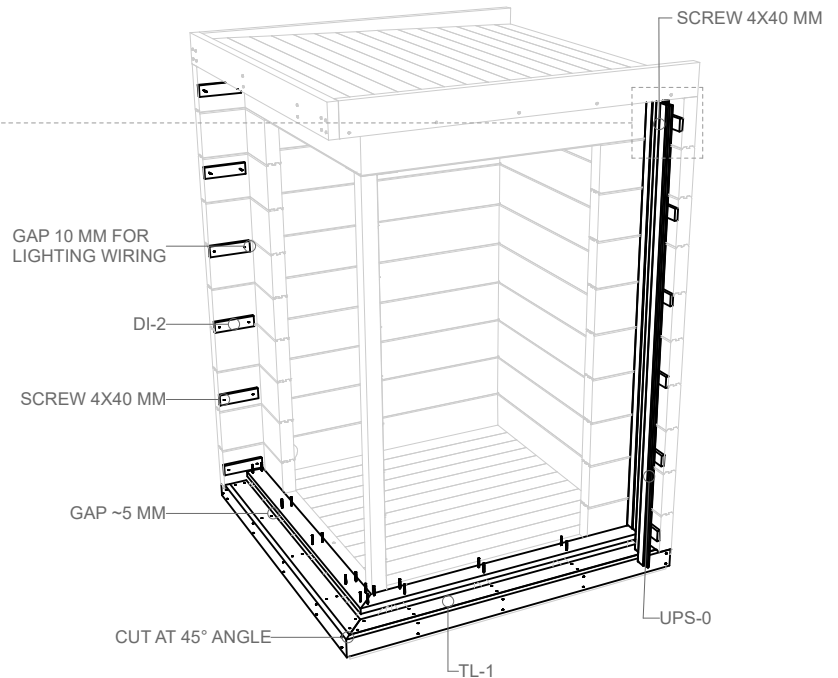
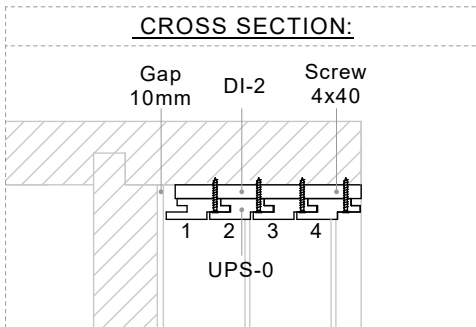


3X40 SCREW - 24 PCS



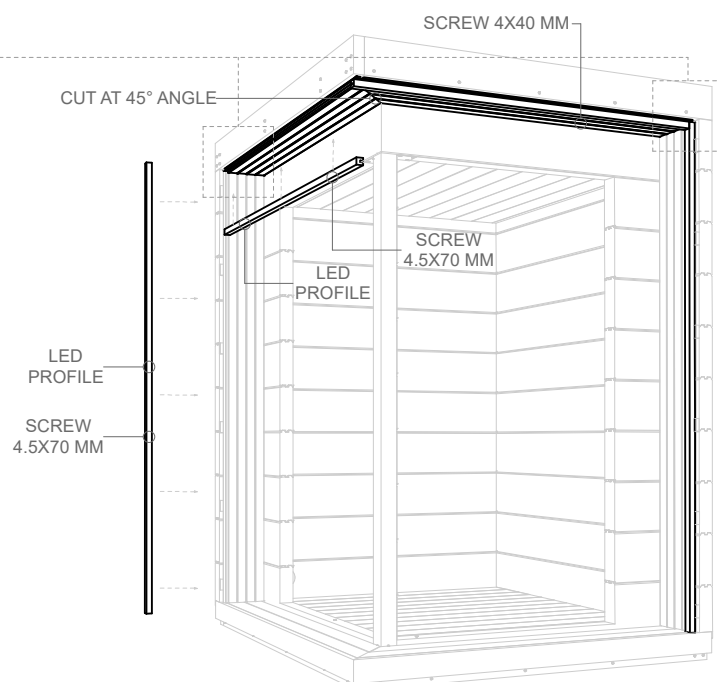
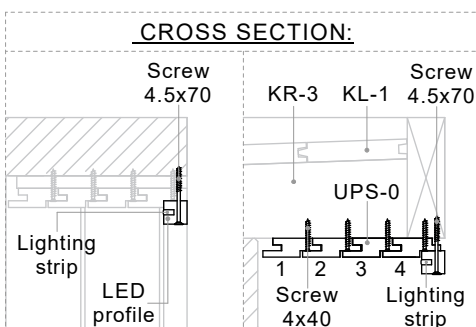
## DECKING & LINING BOARDS:

- Cut to length and fasten the TL-1 decking boards to the base frame using 4x40 black screws.
- Fasten the DI-2 spacers to the walls with 4x40 screws, leaving a 10 mm gap in the corner for lighting wiring.
- Run the wiring for lighting and attach the UPS-0 outer lining boards to the DI-2 spacers with 4x40 screws, starting from the corner. Each following lining board will cover the screw of the previous board.



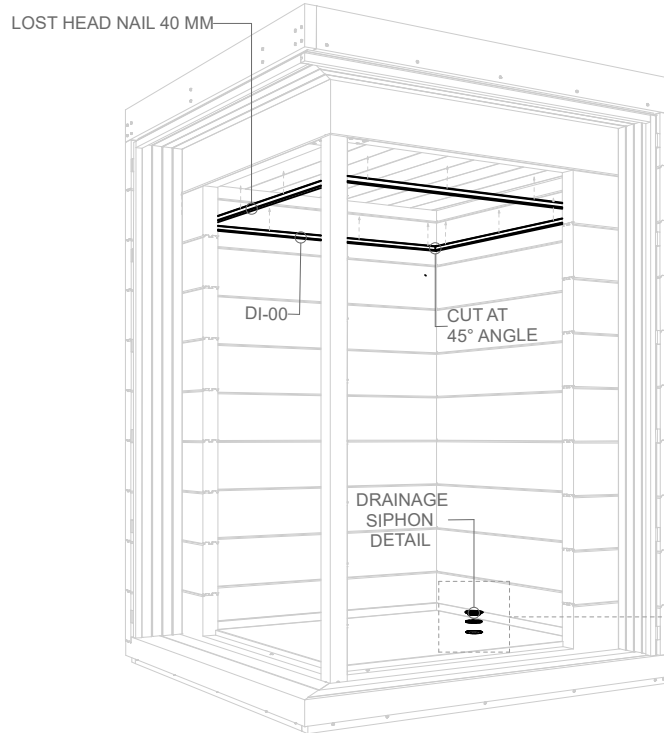
## EXTERIOR LED PROFILES:

- Cut to length and attach the UPS-0 outer lining boards to the roof frame with 4x40 screws, starting from the corners. Each following lining board will cover the screw of the previous board.
- Install the LED lighting strips (if ordered additionally) inside the LED profiles and fasten them to the outer lining boards with grooves directed towards the sauna, using 4.5x70 screws, like shown in scheme.

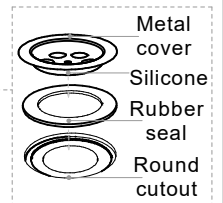


## CEILING MOLDINGS & DRAINAGE:

- Cut to length and fasten DI-00 ceiling moldings with 40 mm lost head nails, using a hammer or a nailgun.
- Cut a round hole in the PVC floor covering with a knife and install the drainage siphon rubber seal and metal cover on top. Seal the edges of the metal cover with silicone to ensure water tightness.

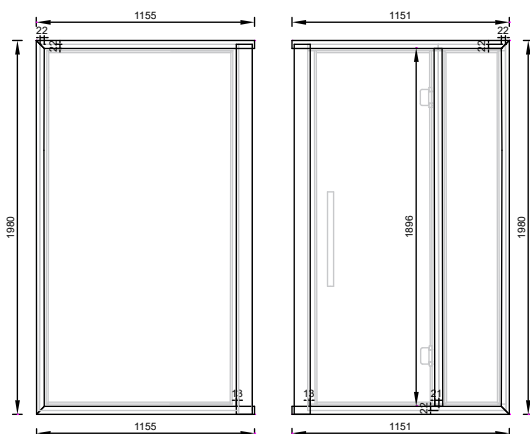


### TOOLS AND FIXINGS:



## WINDOW MOLDINGS: OUTSIDE AND INSIDE

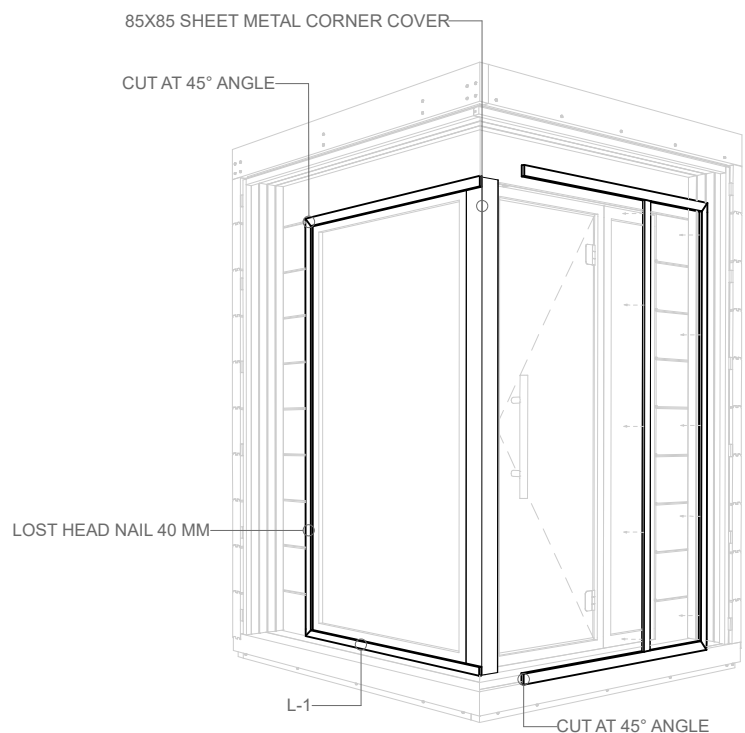
- Cut the 85x85 sheet metal corner cover to length using tin shears and fasten the cover to the P-1 corner post with mounting glue. Wear gloves for protection.
- Cut to length and install the L-1 moldings around the door and windows on the outside and the inside, with 40 mm lost head nails.



### TOOLS AND FIXINGS:

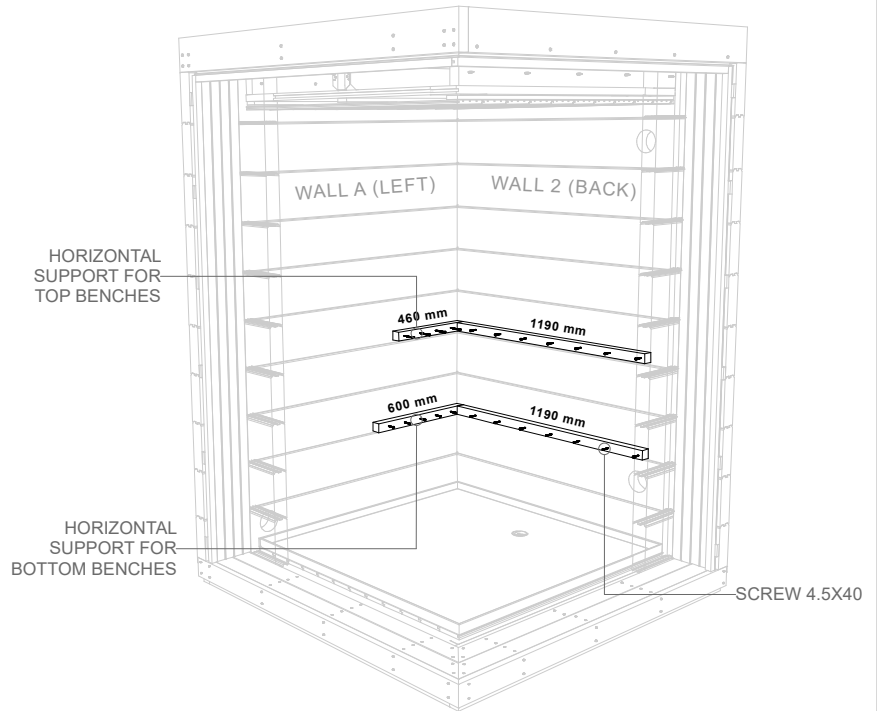
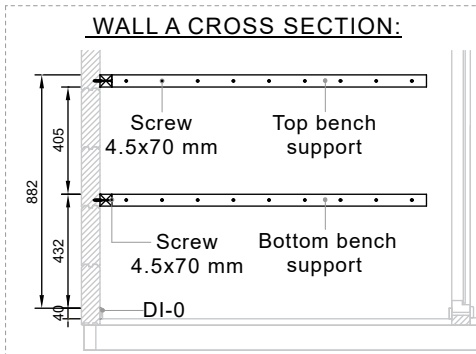


40 MM LOST HEAD NAIL - 140 PCS



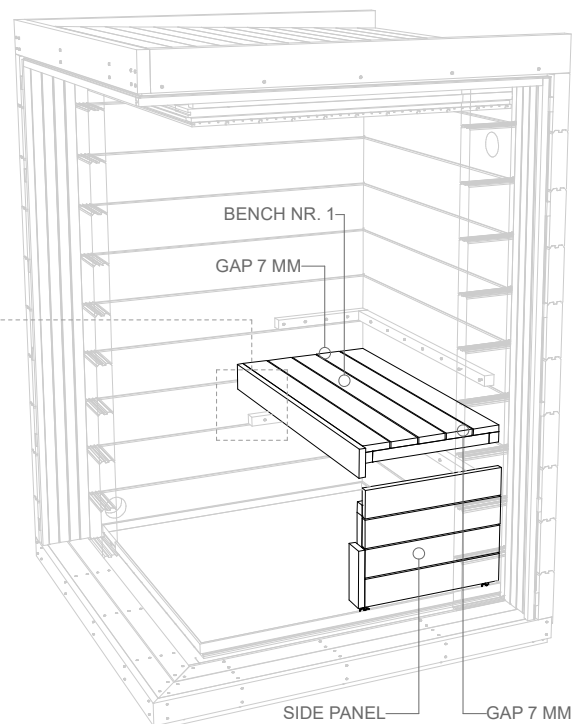
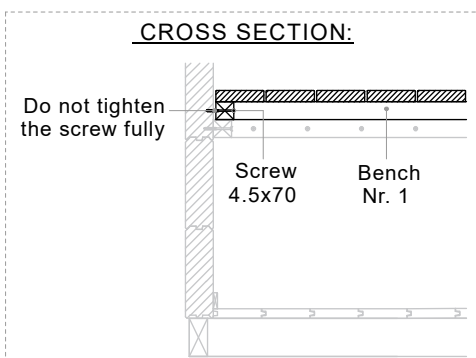
## BENCH SUPPORTS:

- Fix the supports for sauna benches to the walls, as shown in the drawing. Use 4.5x70 screws for fastening.
- Measure and mark the positions of the horizontal supports for the top benches on the walls according to the drawing. Attach the supports to the walls with 4.5x70 screws.



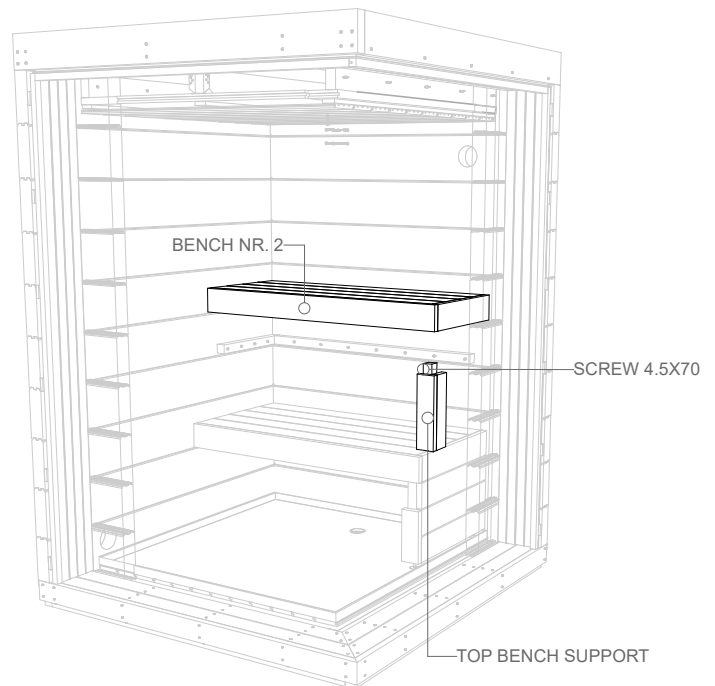
## SIDE PANELS AND BOTTOM BENCHES:

- Install the side panel in position and fix it to the back wall using 4.5x70 screws. Place the bottom bench on top of the panel and the horizontal supports. Fasten the bench to the walls through the bench frame, using 4.5x70 screws.



## ADJUSTABLE LEGS ANT TOP BENCHES

- Place the top bench on top of the horizontal supports. Fasten the benche to the walls with 4.5x70 screws.
- Add an additional support under the right front corner of the top bench. Fasten it to the bench using 4.5x70 screws.



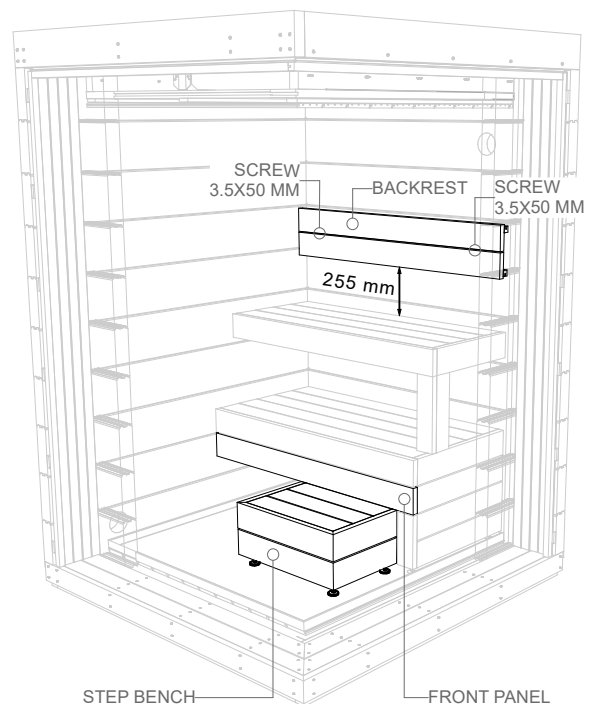
### TOOLS AND FIXINGS:



4.5x70 SCREW - 12 PCS

## FRONT PANELS AND BACKRESTS

- Install the front panel to the front side of bench nr. 1 and fasten it to the side panel and the left wall with 4.5x70 screws.
- Install and connect LED lighting strips behind the backrest, if ordered additionally. Fasten the backrest to the back wall approximately 255 mm from the top bench with 3.5x50 screws. Set the step bench in place, in front of the bottom bench.



### TOOLS AND FIXINGS:



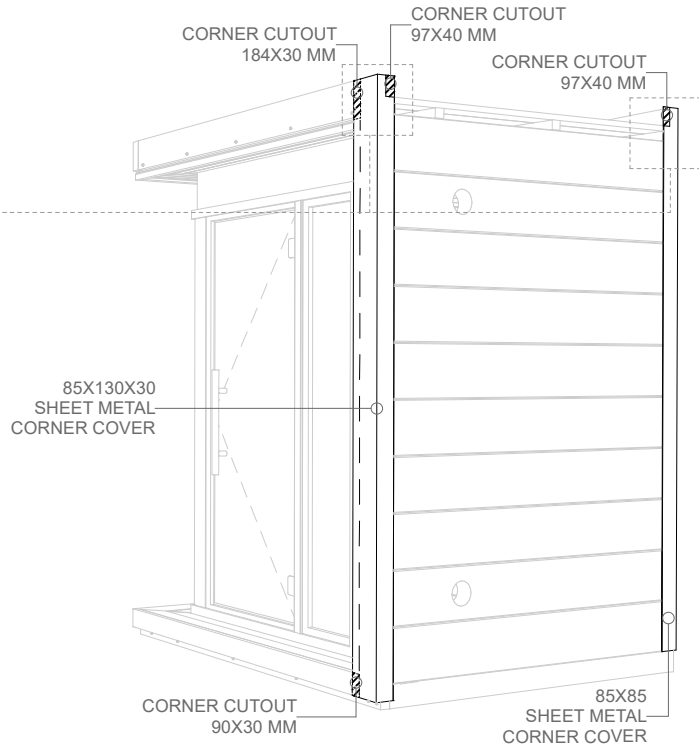
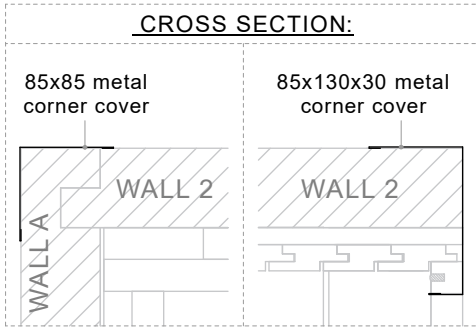
3.5X50 - 2 PCS



4.5X70 SCREW - 4 PCS

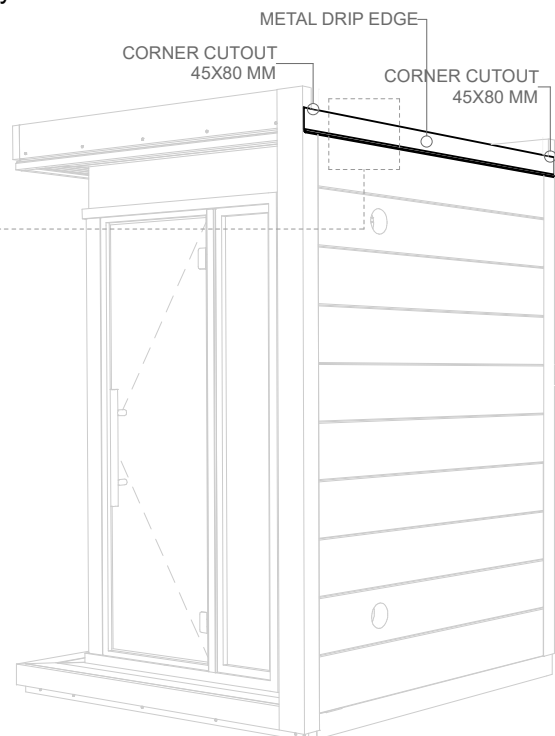
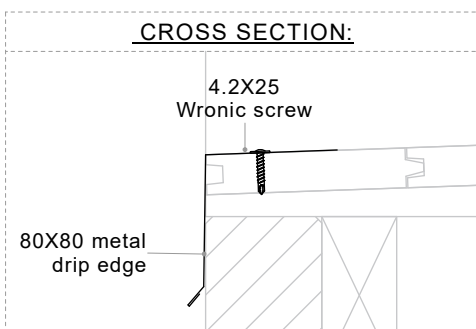
## OUTSIDE CORNER COVERS:

- Measure and cut to length the 85x85 sheet metal corner cover using tin shears. Cut off the excess material from the top corner. Install it on the back outside corner with mounting glue. Wear gloves for protection.
- Measure and cut to length the 85x130x30 corner covers for LED profiles and cut off the excess material from the top and bottom corners. Install them on the extending parts of Wall A and Wall 2 with mounting glue.



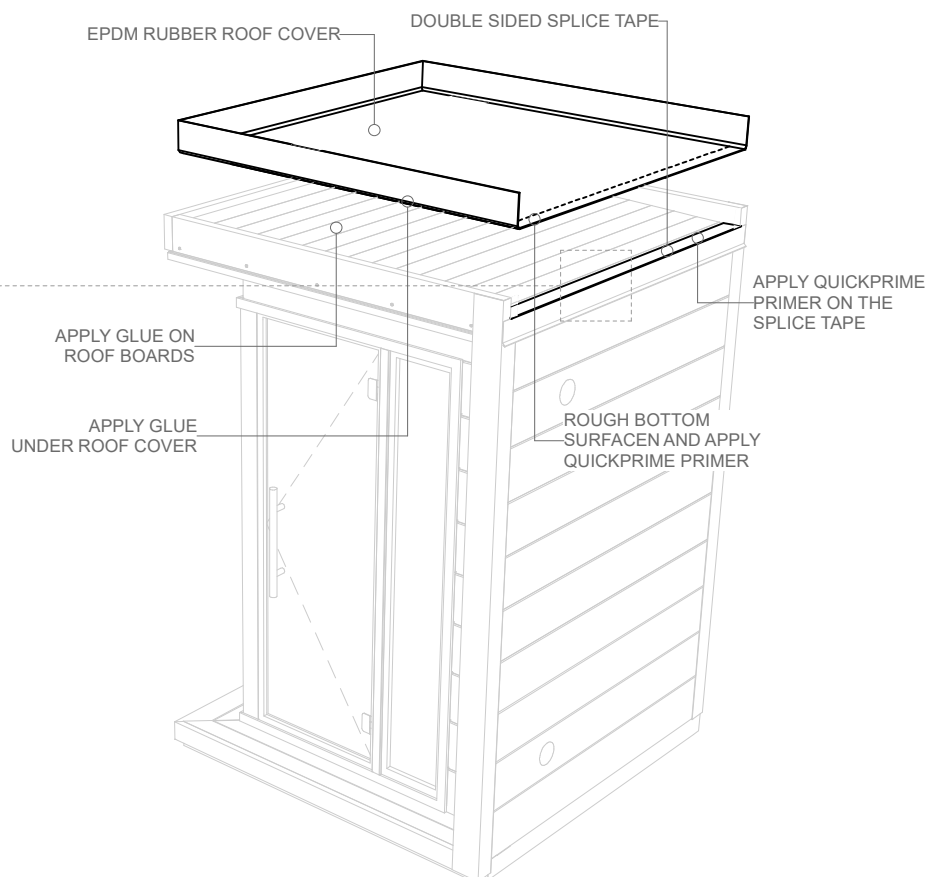
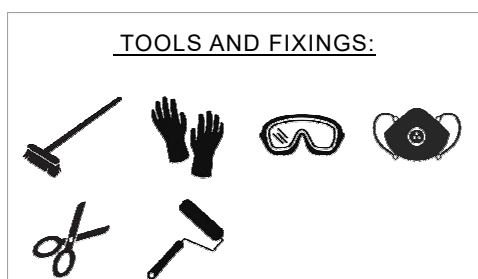
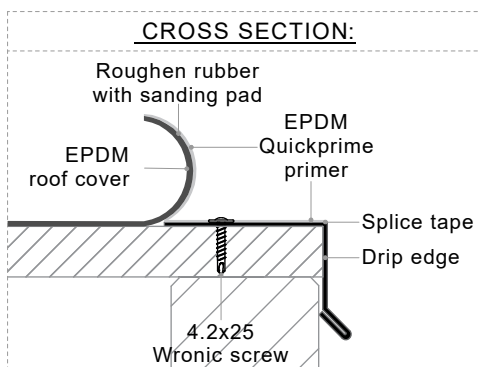
## METAL DRIP EDGE:

- Measure the overall width of the sauna and cut the 80x80 metal drip edge to length. Make 45 mm cutouts on the top side of the drip edge at both ends.
- Place the drip edge on top of the roof boards and fasten it with 4.2x25 black Wronic screws. The distance between the screws should be approximately 200 mm.



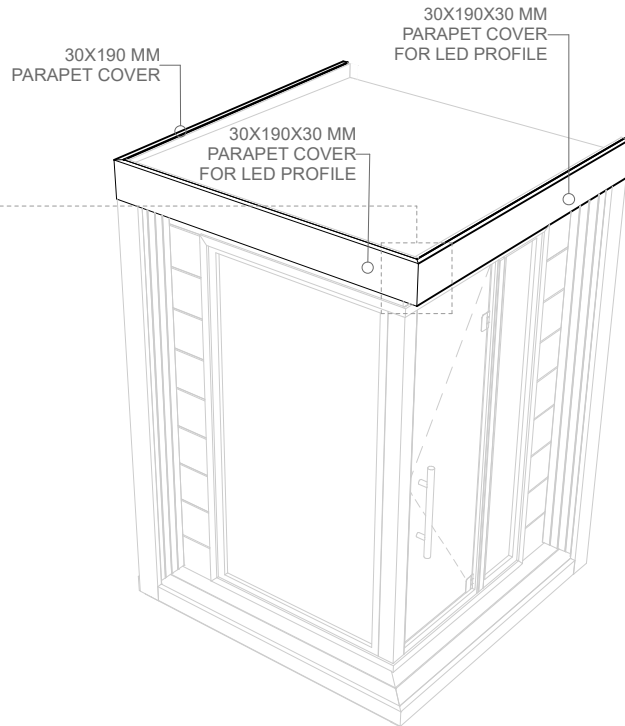
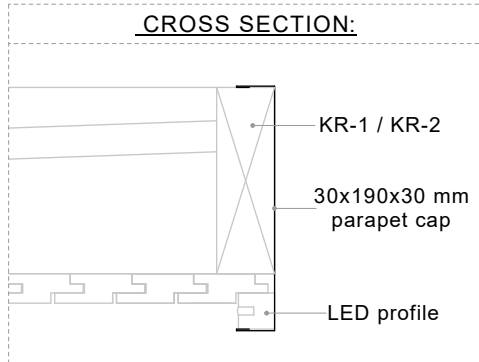
## ROOF COVERING:

- Roughen the top surface of the drip edge with sanding pad, apply EPDM Quickprime primer on top and let it dry. Cut the double-sided splice tape to length, remove the cover from one side and tape it on top of the primer coated drip edge. Do not remove the cover from the top side of the tape at this stage!
- Remove all debris and fasteners from the roof and clean the roof surface from dirt, dust, ice, snow, water, etc.
- Before and during installation, inspect the packaging and EPDM roll for damage. Set the rubber roof cover in place. Make sure that it stays about 5 mm behind the metal drip edge and is also parallel to it. The roof cover must also extend equally on both sides of the sauna.
- Fold back half of the roof cover and start applying the glue to both the roof boards and the rubber. At the back wall, leave about 10 cm unapplied so that the rubber can be attached to the splice tape later on. Do not initially apply any glue to the side walls. The part of the rubber that goes up the side walls will be glued later. Apply glue in a well-ventilated area using gloves, safety goggles, and a respirator.
- **ATTENTION!** Wait until the glue is dry to the touch on both surfaces (approximately 15 minutes or longer) before folding the rubber back in place. Sufficient waiting time is necessary to prevent the rubber from bubbling after it has been set in place.
- Turn the glue coated rubber onto the coated roof boards and smooth it out with a broom or a brush. Prevent wrinkles and bubbles from forming. Repeat the same procedure with the other side of the roof cover.
- Roughen the bottom side of the rubber with sanding pad, remove the top cover from the double-sided splice tape and apply EPDM Quickprime primer on both surfaces. Wait until the primer is dry to the touch and glue the rubber to the double sided tape.
- Cut off the excess roof covering material from both sides and front using scissors.



## PARAPET COVERS:

- Measure and cut to length the 30x190X30 mm parapet covers for LED profiles and install them to the roof frame above the front and right walls using mounting glue.
- Measure and cut to length the 30x190 parapet cover and install it to the roof frame above the left wall using mounting glue.



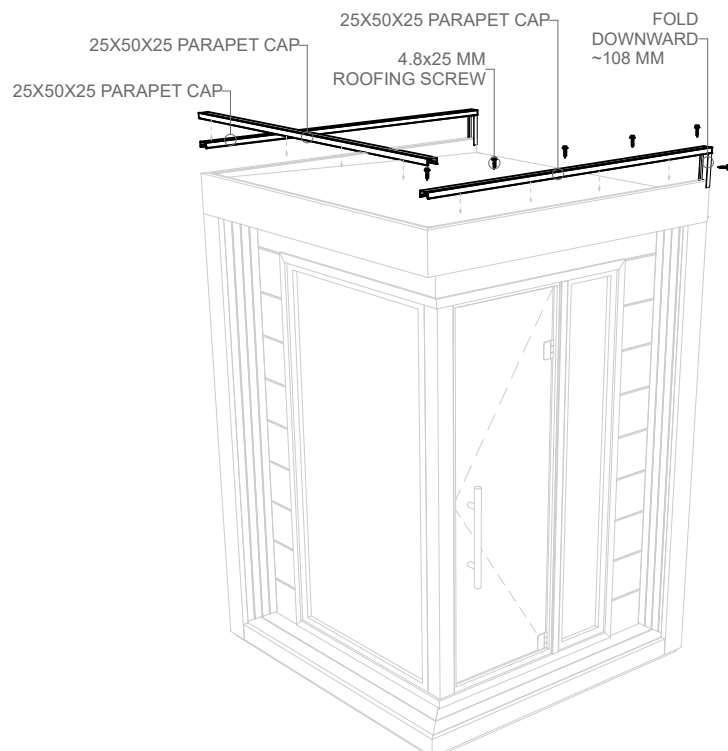
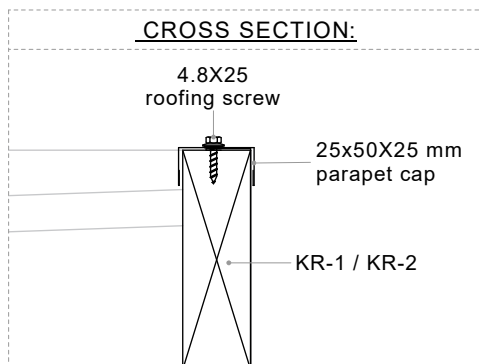
### TOOLS AND FIXINGS:



FIX WITH MOUNTING GLUE

## PARAPET CAPS:

- Measure and cut to length the 25X50X25 mm parapet caps and install them on top of the roof frame at all sides. Fold the edges downward onto the roof frame and fix the caps using 4.8x25 roofing screws. The distance between the screws should be approximately 300 mm.



### TOOLS AND FIXINGS:



4.8x25 ROOFING SCREW - 20 PCS

## CONGRATULATIONS!

You have successfully completed the installation and can soon start enjoying your new sauna.

Before the first use, please read the maintenance and warranty guide and perform the necessary actions.

## MAINTENANCE

---

- The interior surfaces of the sauna, the window frames of the steam and anteroom, and the frames of interior doors must be treated with a special substance before initial use, to protect the wood from humidity and dirt and extend the service life of the sauna.
- Before initial use of the sauna and once a year after that, the door, doorframe, threshold, and window frames, as well as the floors of the anteroom should be treated with Teknos Helo Aqua 40 lacquer.
- The benches and backrests must be treated with a protective oil, to extend their service life. This procedure should be repeated once or twice a year in the future.
- Suitable products for this purpose: TEKNOS Satu Saunasuojaor, Tikkurila Supi Saunasuoja May
- The exterior surfaces of the sauna need to be given the first protective coating right after installation. The second coating should be applied approximately two months after installing the sauna, to maintain its appearance. Use Remmers HK-Lasur for this purpose.
- The seller is not liable for any damage caused to the sauna due to insufficient maintenance or no maintenance at all.

## WARRANTY

---

- The products have a 24-month warranty period covering material and production defects, taking effect from the delivery of the sauna to the client.
- The warranty is valid, if the user has reviewed the user manuals and abides by it.
- The warranty does not cover characteristics of wood, such as discoloration or cracks caused by alternating or excess humidity, etc.
- The warranty does not cover normal wear and tear of the product caused by its use. Any damage caused by incorrect installation or use is not compensated.
- The warranty does not cover damage caused by thunder or other weather phenomena.
- The warranty does not cover damage caused by incorrect installation by the client.
- The warranty expires when attempts are made to independently change or fix the product or if it is not used for its intended purpose.
- The warranty is void if the product is stored in an incorrect position or in the wrong conditions.
- The warranty is valid if the buyer informs the seller of the defect within a reasonable time (7 days).