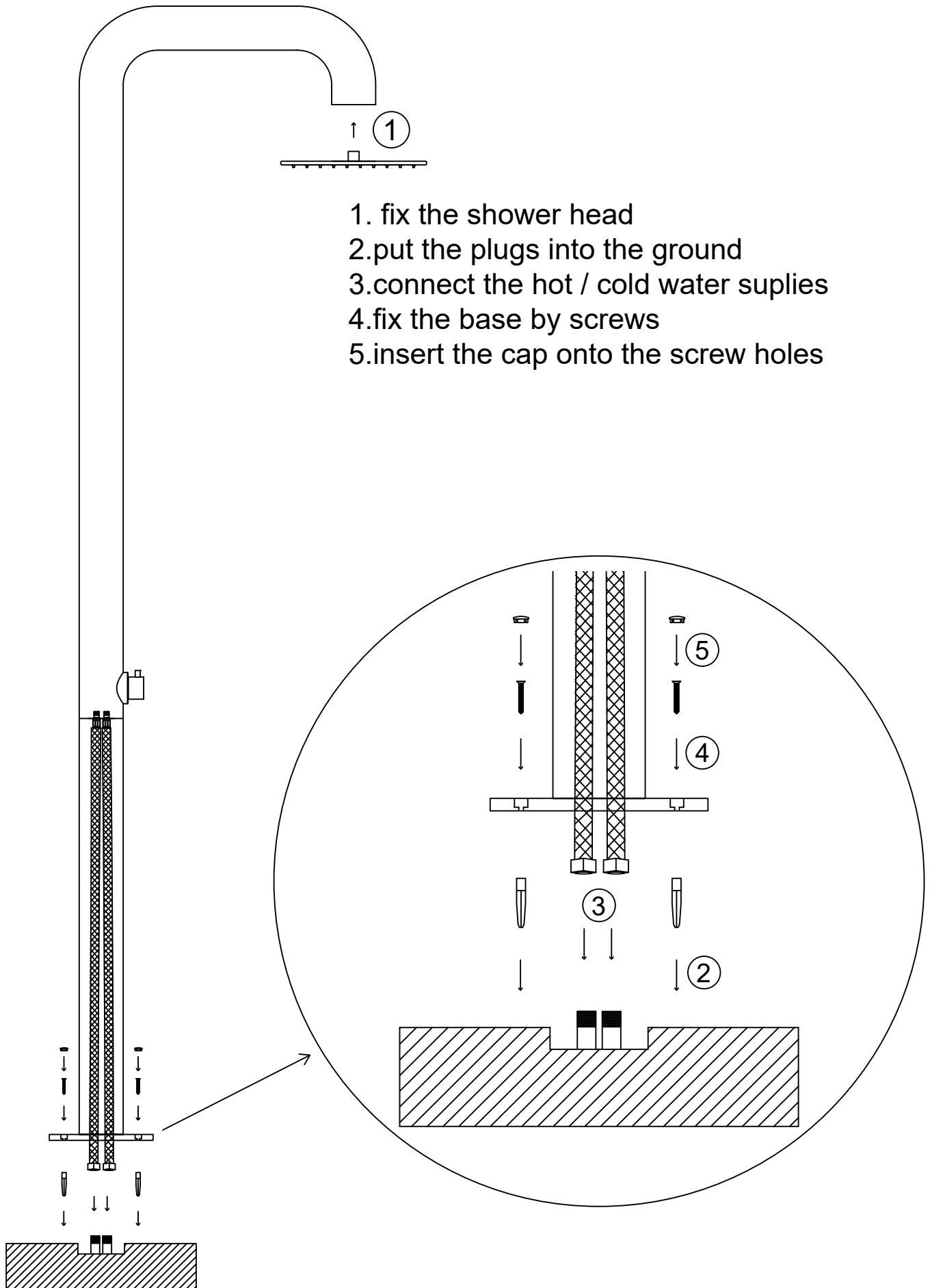
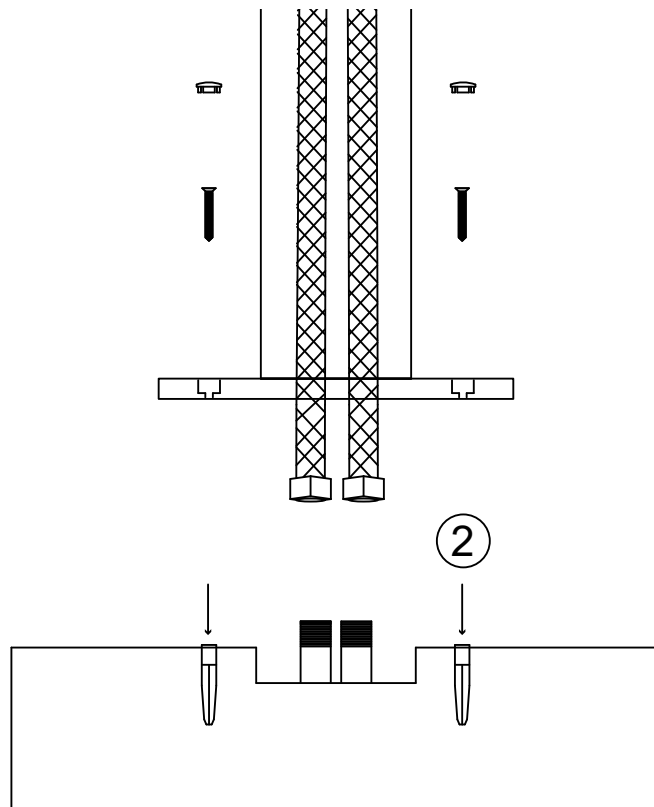
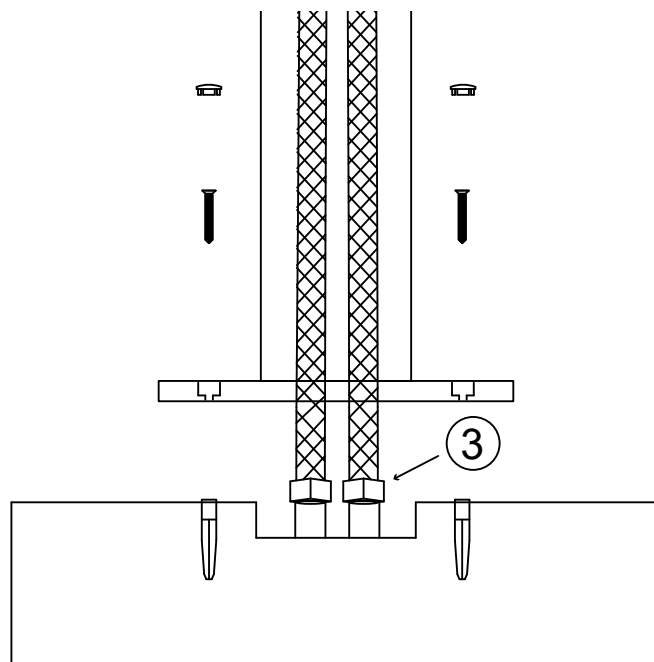


Installation

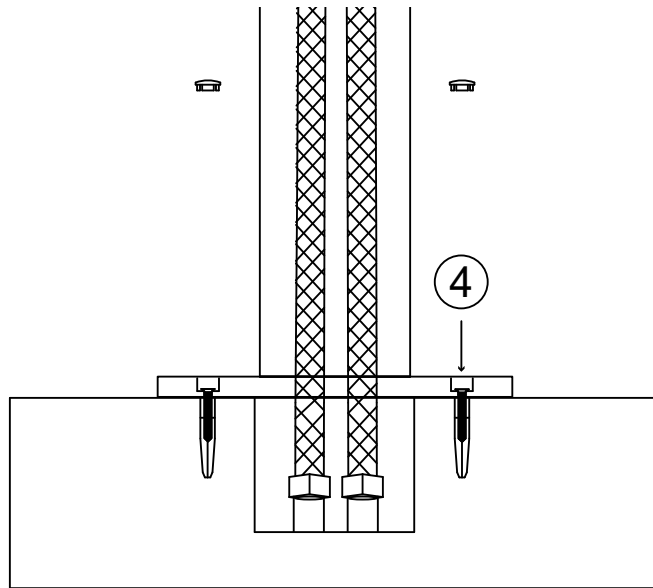




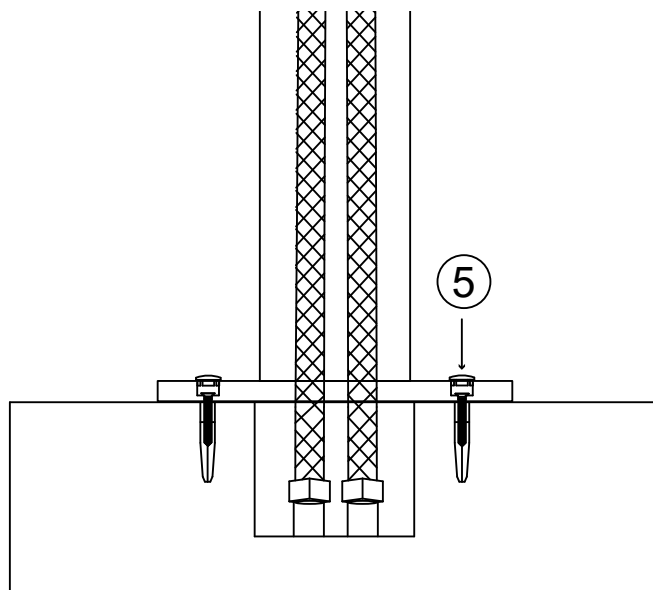
2.put the plugs into the ground



3.connect the hot / cold water suplies



4.fix the base by screws



5.insert the cap onto the screw holes